



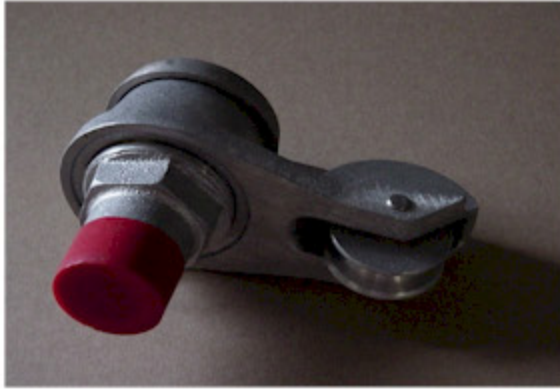
10" - 14 gauge spun aluminum ball
gold anodized

Double sheave truck, cast aluminum
revolving, non-fouling type

1 Bronze swivel snap with covers
per halyard

1 Set of halyards: #10 poly

Optional Sealed Bearing Truck Available



1 - 9" Cast aluminum cleats

Aluminum flash collar

3000 PSI concrete

Hardwood wedges
(supplied by others)

Dry sand tightly tamped
after aligning pole

Foundation sleeve - 16 ga
hot dip galvanized steel

Steel centering wedges

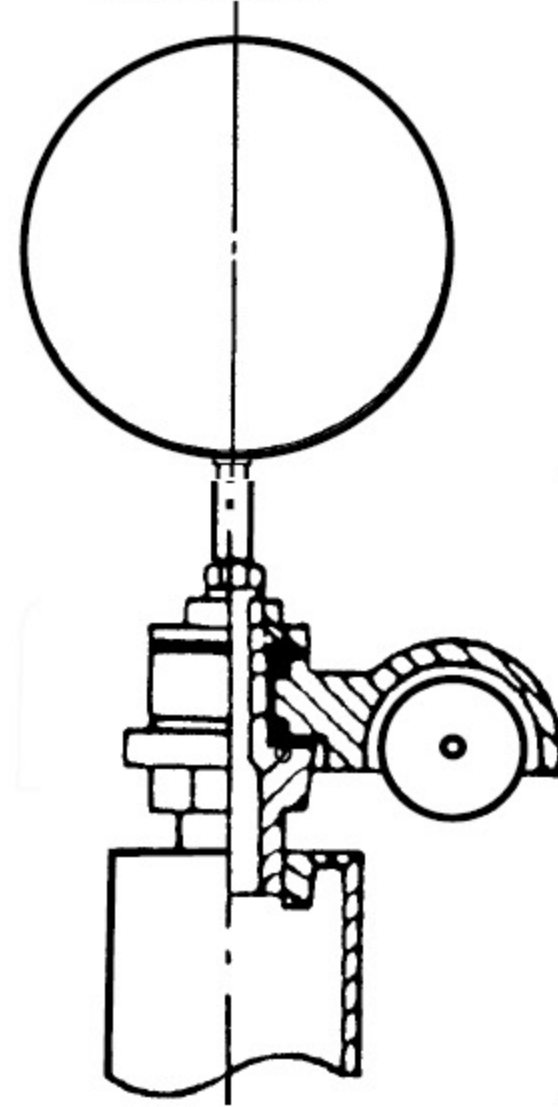
1/4" Steel base plate

1/4" Steel support plate
welded to grounding spike

Optional Double shown



Ball diameter to match
pole butt diameter or
next larger size.



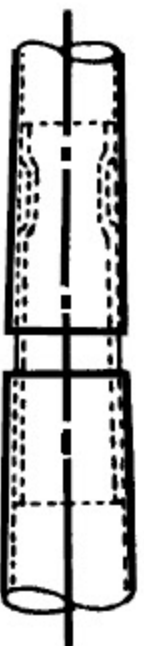
Truck Detail

Revolving, non-fouling truck
Cast aluminum body
Stainless steel ball bearings
Nylon sheaves
Cast aluminum spindle

All shafts with overall
length of more than
38'-6" are shipped in
two sections.

Each section matched marked
for field assembly. Exposed
portion of jam sleeve must
be **well lubricated** prior to
assembly.

1-1/2" maximum shop
gap allowed for field fitting
(ram for tight joint)



Anchor B50 50100188

Project:	Ground set tapered aluminum flagpole: ALLOY: 6063T6	Anchor Flag And Flagpole 2044 Hwy 9 West Longs, South Carolina 29568 800-637-3002 / 843-756-9161 FAX. 843-756-9161	Date:
Location:	Exposed height: 50'-0" Overall height: 55'-0"		Revision:
Architect:	Ship in 3 sections Butt diameter: 10"		
Contractor:	Top diameter: 4" Wall thickness: .188"		
Customer:			Job: